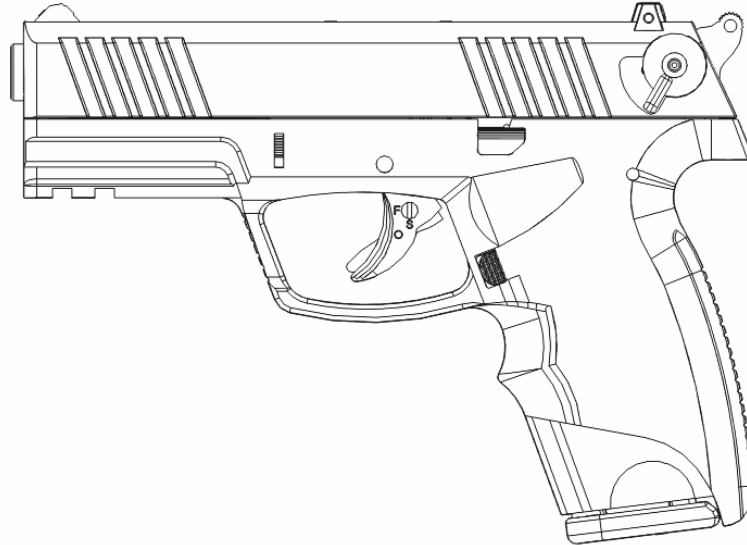


ISSC RAPTOR

SEMI AUTOMATIC
CALIBER .22LR

PISTOL



Handling and Safety Instructions

ISSC RAPTOR

SEMI AUTOMATIC
CALIBER .22LR

PISTOL

Important instructions for the use of firearms

Always remember that even the safest gun is potentially dangerous to you and others when it is not properly handled.

Always bear in mind:

- Keep your finger away from the trigger unless you really intend to fire.
- Always keep your weapon pointing in a safe direction so that you and others cannot be endangered.
- First of all read and understand the operating instructions and learn how the weapon works and is to be handled.
- Always treat an unloaded weapon as if it were loaded.

ISSC RAPTOR

**SEMI AUTOMATIC
CALIBER .22LR**

PISTOL

D-01: Product Description:

Dear valued customer,

Congratulations on your purchase of the ISSC Raptor pistol.

In order to create your personal gun, please ask your dealer for the available line of accessories.

Manufacturer contact:

ISSC Handels GmbH

Furt 43

AT-4754 Andrichsfurt

Austria

D-01-1: General instructions / Safety regulations

- Never use the gun under the influence of drugs or alcohol, while ill or suffering other such difficulties. These conditions can impair your powers of judgement and reflexes.
- Always think the gun as being loaded and with the safety off until you have established the opposite through the unloading procedure.
- Always keep the muzzle of the gun in a safe direction with all handling. A safe direction is towards an area where there are no people, other life forms or property that is not a recognized target.
- Never point the gun at doors, panes of glass, walls, concrete, stone or flat surfaces (water included). A bullet can penetrate such surfaces or be ricocheted in an unsafe direction.
- Never aim at yourself or other life forms.
- Never rely on safety mechanisms alone. Safety mechanisms are not a substitute for careful, correct and secure handling of the gun.
- Always treat your gun as if the safety mechanisms were not functioning. The best safety precaution is a correct, well-trained and safe handling of the gun.
- Never shoot with a gun which has been penetrated by water, sand, dirt or other foreign bodies.
- Never decock the hammer by holding on to the hammer and pulling the trigger at the same time.
- Never let a loaded gun out of your hand.
- Always unload the gun immediately after firing, before putting the gun away, putting into a holster or handing to another authorized person.
- Never give the gun to a person who has not thoroughly familiarized himself or herself with the safety instructions and handling of gun, by reading the corresponding instructions.
- Never leave the gun lying unattended and protect the gun from unauthorized access.
- Never store the gun loaded, but rather remove the magazine and ensure that no cartridge is left in the chamber of the barrel.
- Always keep the gun and the ammunition separate from one another, and ensure that neither is obtained by unauthorized persons or children.

ISSC RAPTOR

SEMI AUTOMATIC
CALIBER .22LR

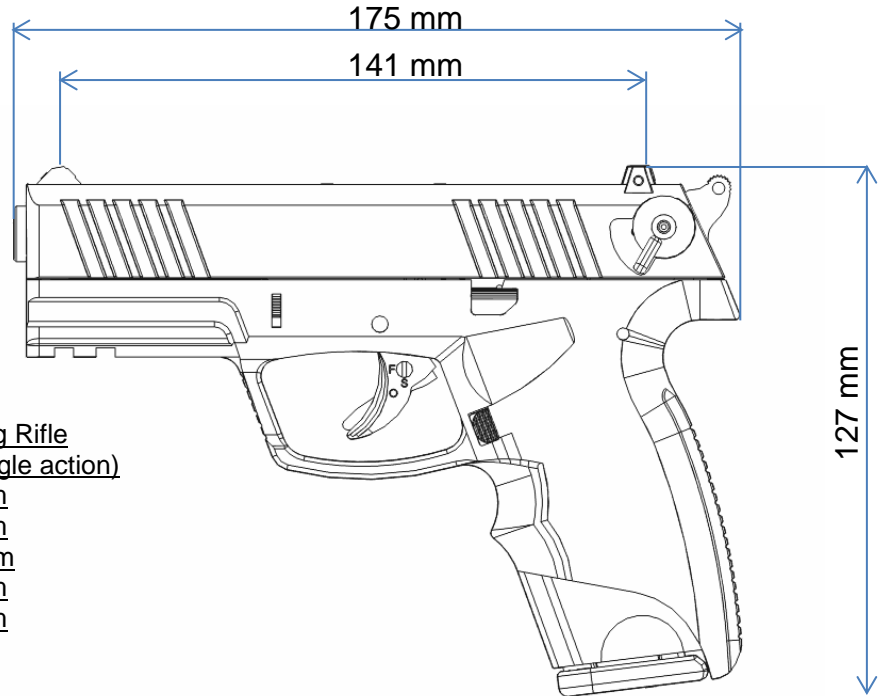
PISTOL

D-01-2: Technical Data:

Included in the standard delivery are:

- 1 x pistol
- 1 x magazine
- 1 x handbook
- 1 x hardcase
- 1 x screwdriver
- 1 x child lock key

<u>Caliber</u>	22 Long Rifle
<u>Action</u>	SA (single action)
<u>Overall length</u>	181 mm
<u>Overall height</u>	127 mm
<u>Overall width</u>	27,5 mm
<u>Barrel length</u>	104 mm
<u>Sight length</u>	141 mm
<u>Weight without magazine</u>	515 g
<u>Magazine weight empty</u>	75 g
<u>Trigger weight, approx.</u>	2,0 kg
<u>Magazine capacity / rounds</u>	10 rds



ISSC RAPTOR

SEMI AUTOMATIC
CALIBER .22LR

PISTOL

D-02: Operation of the safeties (safety devices):

1. Manual safety/Decocker

To engage the safety, turn the safety lever, as shown in fig.1, to the lower position. Hammer gets decocked.

CAUTION: Always keep the manual safety engaged until you intend to fire the gun.

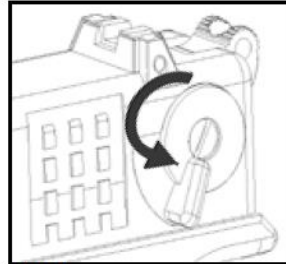


fig.1

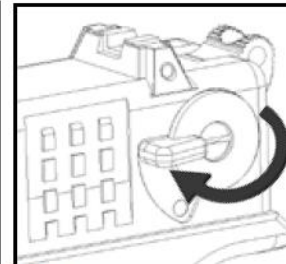


fig.2

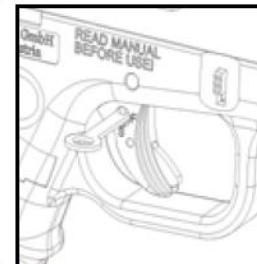


fig.3 safety engaged

2. Trigger lock

The enclosed key is used to lock the trigger mechanism of the M22.

Without the key it is impossible to disengage the safety. fig.3 safe and fig.4 fire.

Use this feature to prevent unauthorized persons from using your weapon.

3. Drop safety (automatic internal safety)

The drop safety (firing pin safety) is only disengaged when the trigger is pulled.

If, after a fall, the hammer was released, then the firing pin would not be activated.

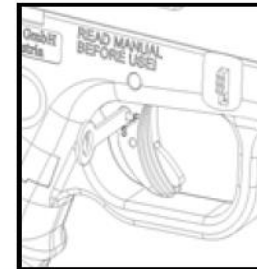


fig.4 ready to fire

CAUTION:

All safety devices of the weapon are mechanical safeties, and the shooter is the only one who can engage and disengage these safeties.

NEVER RELY SOLELY ON MECHANICAL SAFETIES - always be extremely careful and avoid situations which could lead to an accident.

ISSC RAPTOR

SEMI AUTOMATIC
CALIBER .22LR

PISTOL

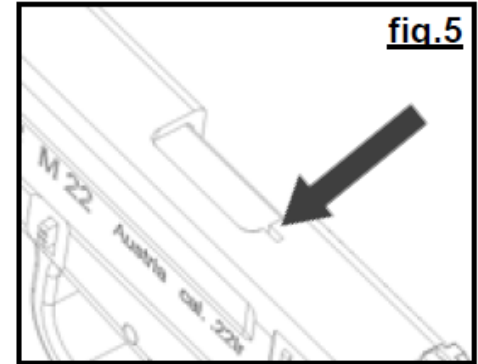
4. Magazine safety

Without the magazine inserted, the magazine safety of the M22 prevents a round to be fired. A cartridge in the chamber cannot be ignited.

Always inspect the chamber of your pistol after the magazine has been removed from the gun. Make sure that no cartridge is left in the chamber after the safety has been engaged.

5. Loaded chamber indicator

A small slot in the upper part of the slide allows for an inspection of the chamber to see if a cartridge has been loaded (fig. 5).



D-03: Transporting the pistol:

For your own safety and the safety of others, always transport the gun unloaded and decocked. Never carry a gun with you that has already been cocked and which has a round in the chamber. Transport the gun separate from the ammunition. Ensure that all applicable laws governing the transport of firearms are complied with.

D-04: Handling the gun:

D-04-1: General:

The gun is generally delivered preserved with a thin, protective grease and oil coating.

D-04-2: Ammunition:

For your gun, use only commercial grade ammunition in its original packing which corresponds with the caliber of the gun. The correct caliber is imprinted on the gun. Never use reloaded, „refurbished“, hand-loaded, non standard ammunition of a different caliber.

ISSC RAPTOR

SEMI AUTOMATIC
CALIBER .22LR

PISTOL

D-04-3: Loading the Magazine:

Procedure:

1. Put the cartridge on the feeder, near the magazine feed lips.
2. Pull down the spring of the magazine.
3. Push the bullet to the backside of the magazine.
4. Load only the quantity of bullets into the magazine, you want to fire. (max. 10 bullets),

Notice:

Use the side-mounted button to press the follower down and insert a cartridge under the magazine lips (fig. 7).

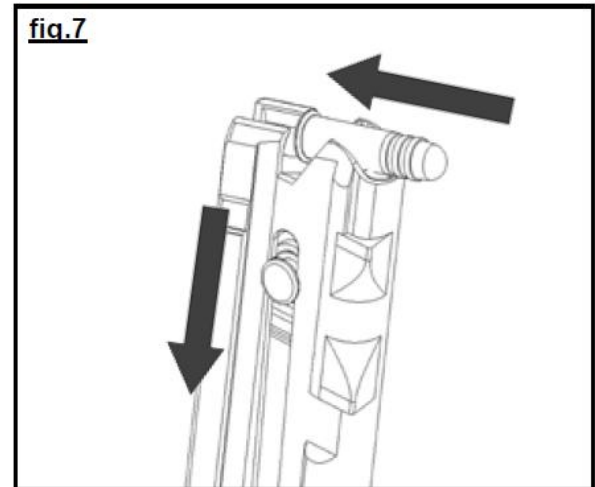
Do not use force.

Damaged magazine lips will cause malfunctions and will render the weapon useless.

Tap the back of the loaded magazine against the palm of your hand.

Properly positioned cartridges inside the magazine help to prevent stoppages.

When a magazine is to be emptied,



ISSC RAPTOR

SEMI AUTOMATIC
CALIBER .22LR

PISTOL

D-04-4: Inspections before use

Notice:

Make sure that the pistol is unloaded (chamber cleared, barrel clear of any obstructions, magazine empty) for inspection and that the safety is engaged.

Functional inspection

1. Remove the magazine, retract the slide. After the slide has been released, the mainspring must press the slide fully forward.
2. Insert the empty magazine, retract the slide. The slide must be caught in its rearmost position.
3. Remove the magazine, slightly retract the slide. After the slide has been released, the mainspring must press the slide fully forward.
4. To decock the gun, press the decocker.
5. Insert the empty magazine, fully retract the slide. The slide must be caught in its rearmost position.
6. Press down the slide stop. The mainspring must press the slide fully forward.
7. Remove the magazine, pull the trigger. The hammer must not fall.

D-04-5: Inspections after use

Notice:

Make sure that the pistol is unloaded (chamber cleared, barrel clear of any obstructions, magazine empty) for inspection and that the safety is engaged.
Proceed with the functional inspection

ISSC RAPTOR

SEMI AUTOMATIC
CALIBER .22LR

PISTOL

D-04-6: Loading the pistol

CAUTION: Read and understand the operating instructions thoroughly before you load your gun. Malfunction may occur when ammunition with low propellant charge is fired.

Engage safety. Press magazine catch and remove empty magazine (fig. 6).

Use the side-mounted button to press the follower down and insert a cartridge under the magazine lips (fig. 7). Do not use force. Damaged magazine lips will cause malfunctions and will render the weapon useless.

Tap the back of the loaded magazine against the palm of your hand. Properly positioned cartridges inside the magazine help to prevent stoppages.

When a magazine is to be emptied, remove the cartridges one after the other by pushing them to the front side of the magazine. Push the loaded magazine into the magazine well until the magazine catch locks it (fig. 8).

Loading the chamber with the first cartridge

Pick up the gun with your shooting hand, hold it at an angle of approx.

45 degrees and point the muzzle in a safe direction. Use other hand to retract slide. Release slide. The slide travels forward and inserts

the first round into the chamber. The hammer is now cocked and ready to fire.

CAUTION! Your gun is now ready to fire. Regard safety instructions, keep shooting finger away from trigger until you really intend to fire.

If you do not fire your gun immediately after loading it, decock hammer.

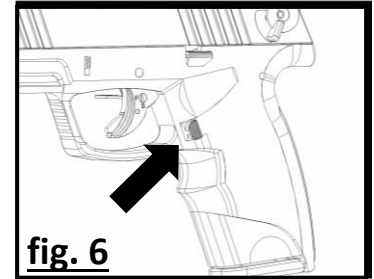


fig. 6

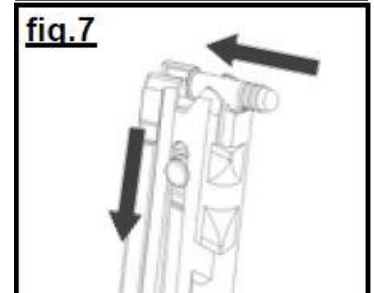


fig.7

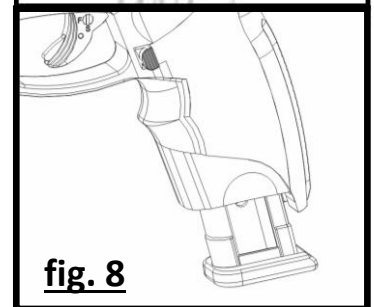


fig. 8

ISSC RAPTOR

SEMI AUTOMATIC
CALIBER .22LR

PISTOL

D-04-7: Firing:

The pistol is only single action. To fire it „single action“ means that the gun is loaded and that the hammer is manually cocked before firing. The trigger pull is 0.14 inch of travel and 4 pound of force.

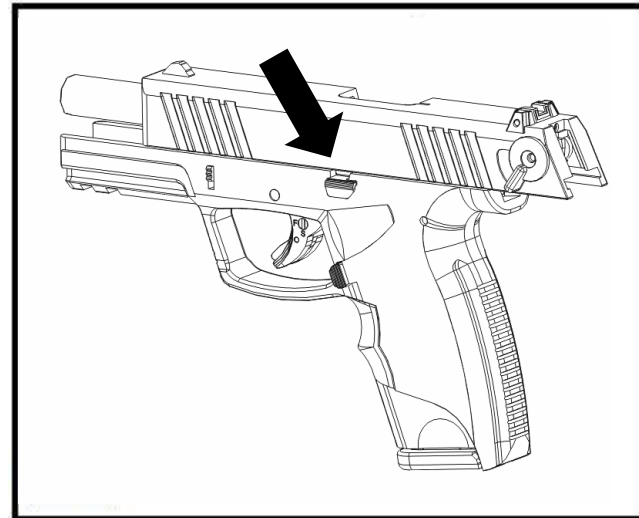
The action of the slide then automatically reloads the pistol and cocks the hammer.

D-04-8: Decocking the hammer:

Point the muzzle in a safe direction. Put this before the first mention of “decock the hammer”. Press the decocker.

D-04-9: Pistol with empty magazine:

After the last round was fired, the slide stop holds the slide in its opened position. Engage the safety. In case you intend to commence shooting, replace empty magazine by a full one. Press the slide stop lever (fig. 9), the slide will travel forward



ISSC RAPTOR

SEMI AUTOMATIC
CALIBER .22LR

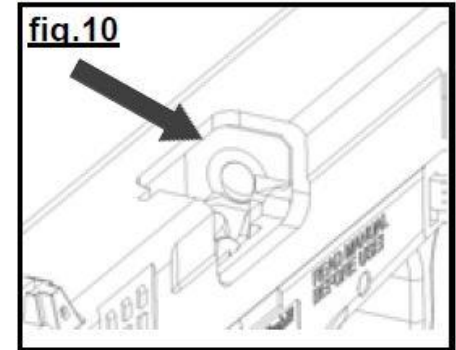
PISTOL

D-04-10: Unloading your pistol

Engage safety. Remove magazine and retract slide.

The round in the chamber is extracted and ejected.

Make a visual inspection of the barrel - it must be clear! fig. 10



D-04-11: Disassembly and reassembly of the pistol

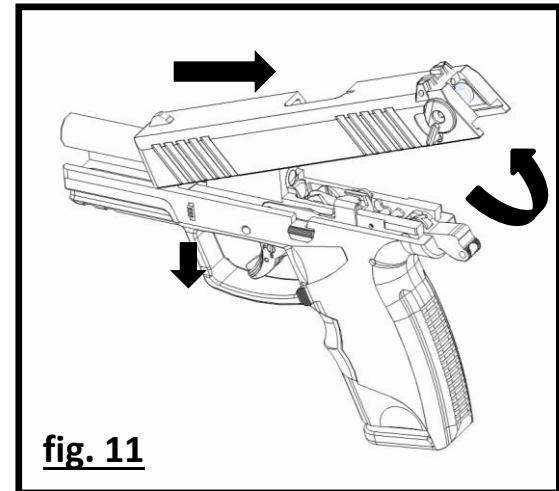
It is not necessary to strip the pistol any further as is described in this manual. Further disassembly, improper assembly and disregard of the instructions will lead to loss of warranty, and under no circumstances will the manufacturer then be liable for damages to persons or property.

To do so, engage the safety, remove the magazine and inspect the weapon, it must be unloaded.

Press the takedown lever down (on both sides) fig. 11(1).

Fully retract the slide, lift its rear section and push forward off the receiver fig. 11(2).

Assembly of the gun is in reverse order



ISSC RAPTOR

SEMI AUTOMATIC
CALIBER .22LR

PISTOL

D-05: Sights

Attention: If you remove the front sight it will be destroyed!

Elevation adjustment:

Elevation adjustment can be changed by mounting front sights of different height. If your weapon fires too low, a lower front sight is to be mounted, if it fires too high, a higher front sight is to be mounted.

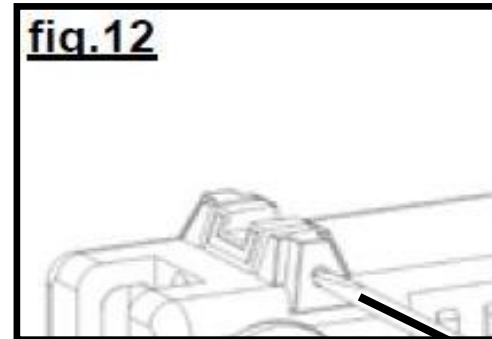
To change the front sight, use a screwdriver to press it out of its seat on the slide.

Attention: If you remove the front sight it will be destroyed!

The rear sight is adjustable for windage.

Windage adjustment

Turn screw on the sight to the right if weapon fires to the right; turn it to the left if weapon fires to the left. fig. 12



ISSC RAPTOR

SEMI AUTOMATIC
CALIBER .22LR

PISTOL

D-06: Cleaning:

- The previous disassembly instruction is sufficient for cleaning.
- A further disassembling of the pistol should only to be made by qualified personnel.
- Do not use a steel brush or any other hard material to clean the barrel. This could damage the flat surface of the barrel. Use only a suitable cleaning rod and brushes of the right caliber.
- Thinner could damage the surface of the pistol. Before using any cleaner or thinner

Procedure:

1. Lubricate the cleaning brush with gun oil and insert it into the barrel via the chamber. Use the brush to carefully remove all powder residues and dirt in the barrel and chamber.
2. Wipe powder residues and oil from the barrel bore and chamber with cleaning patches.
3. Remove dirt from guides of breech and breech-block with a brush or a cleaning patch and than wipe down with a cloth impregnated with gun oil or gun grease.
4. Oil the chamber lightly.

D-07: Care of the gun:

- Always keep your gun in immaculate condition and in good working order.
- Always clean your gun after use.
- Never modify or repair parts of your gun yourself.
- Have your gun checked once every 12 months by a qualified gunsmith or armourer because defects, wear, corrosion, etc. are not always visible from the outside.
- For repairs or service work, however, we recommend that you return the gun to your dealer / importer who always holds a full range of replacement parts in stock.
- If you order spare parts without returning the gun, you are responsible for ordering the correct part and its correct fitting by a qualified gunmaker or armourer.

D-07-1: Safekeeping and storage of the gun:

- Always store your gun unloaded and in cleaned condition.
- Store your gun separately from its ammunition and under lock and key.
- The gun and ammunition must not be accessible to children and other inexperienced or unauthorized persons.

ISSC RAPTOR

SEMI AUTOMATIC
CALIBER .22LR

PISTOL

D-07-2: Shipping the gun to ISSC:

Important notice:

CAUTION! A weapon which fails to function properly is dangerous. It should be safely kept in a way that prevents its use before it is repaired. It is difficult to repair a weapon, and improper assembly can lead to dangerous malfunctions.

Only let an authorized and qualified gunsmith inspect and repair your weapon!

The ISSC website has instructions for returning a gun for service. ISSC will not accept any gun without prior authorization.

D-07-3: Warranty for ISSC-weapons:

This gun is warranted to be free from defects in material and workmanship. Any such defects of which we receive written notice within one year from date of original purchase will be remedied without charge within a reasonable time after such notification and delivery of the handgun. For reporting warranty issues, shipping information and any other repair or service issues, please refer to the customer service information on the www.issc.at website.

ISSC RAPTOR

SEMI AUTOMATIC
CALIBER .22LR

PISTOL

D-07-4: Disposal:

- Strictly observe any current national legislation governing the disposal of handguns.
- When shipping the gun, strictly observe the instructions listed under Sect. D-07-2

D-07-5: Accessories:

Essential information when ordering accessories or spare parts from your dealer/service department in your country.

- Gun Model (caliber, designation)
- Gun serial number
- Item number and index

ISSC RAPTOR

SEMI AUTOMATIC
CALIBER .22LR

PISTOL

D-07-6: AMMUNITION WARNINGS:

The M22 pistol is chambered only for the .22 caliber Long Rifle cartridge, standard or high velocity, manufactured to

U.S industry standards. Do not attempt to load .22 Long, .22 Short, or any other type .22 caliber cartridge into the magazine

or into the chamber, even if the cartridge appears to load properly

WE SPECIFICALLY DISCLAIM RESPONSIBILITY FOR ANY DAMAGE OR INJURY WHATSOEVER OCCURING

IN CONNECTION WITH, OR AS THE RESULT OF, THE USE IN M22 PISTOLS OF FAULTY. OR NONSTANDART,

OR 'REMANUFACTURED' OR HANDLOADED (RELOADED) OR OF CARTRIDGES OTHER THAN THOSE FOR WHICH THIS FIREARMS IS CHAMBERED.